

Fire-fox 100

Truly the best flying ultra-light indoor EP helicopter

**3D AEROBATIC CAPABLE
ULTRA-LIGHT INDOOR 100
SIZE EP HELICOPTER**



User's Manual



ELE Electronic Technologies Co., Ltd.

No.15 Changzheng Road ,Xiaogan City ,Hubei ,China Mailland.

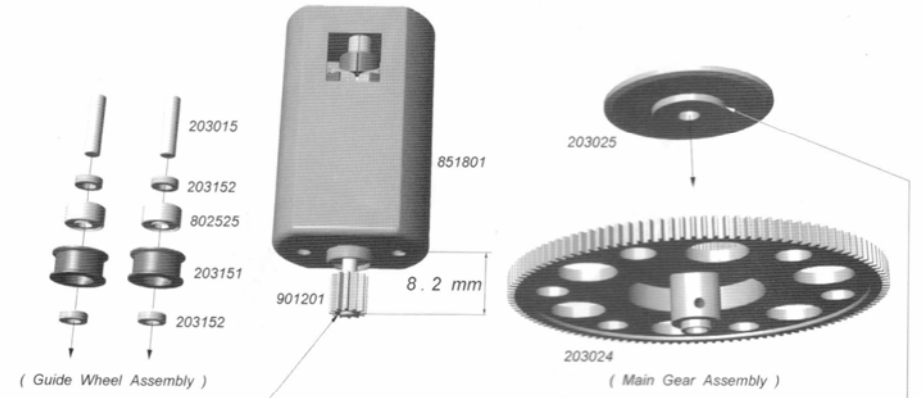
Tel: (+86) 712 2847588

Fax:(+86) 712 2859755

E-mail:elerc@126.com

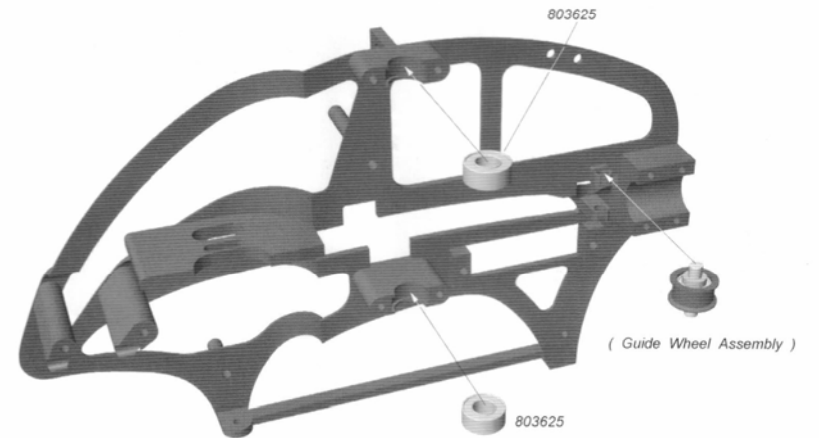
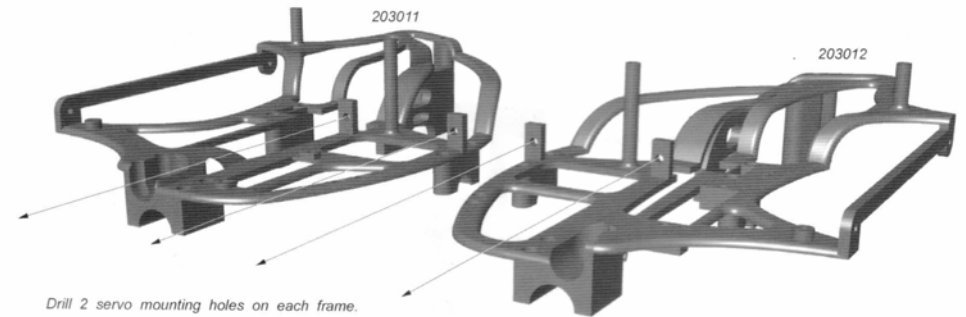
Website: <http://www.elerc.com>

PARTS ASSEMBLING

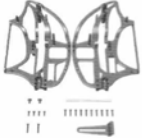
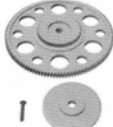




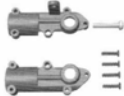



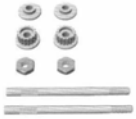


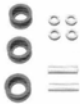











Use Locktite 609, 680 or similar material to adhere the gear to the shaft.

Use instant glue to adhere 203025 to 203024.

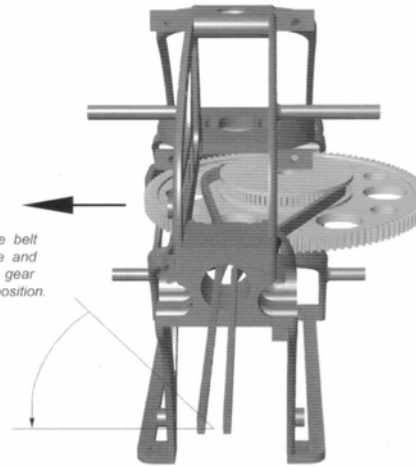


Replacement Parts

			
2002 Main Frame Set	1007 Main Gear (120T X 64T) Set	1008 Main Rotor Yoke & Grip Set	1010 See-Saw Set
			
1012 Washout Base Set	1005 Swashplate Assembly	3002 Tail Gear Case Set	3001 Tail Rotor Blades Pack
			
3011 Fin & Stabilizer	1009 Stabilizer Blades Pack	3003 Tail Output Shaft Set	3004 Tail Rotor Grip (with Hub) Set
			
3005 Tail Pitch Control Set	4005 Belt Guiding Wheel Set	2001 Body & Canopy Set	2005 Landing Gear Brace Set
			
3008 Tail Booms Pack	3007 Tail Boom Support Set	2006 Linkage Set	1006 Main Shafts (Masts) Pack
decal			
4007 Decal Sets	2010 Mast Collars Pack (S)	1013 Flybars Pack	1011 Flybar Adaptors Pack

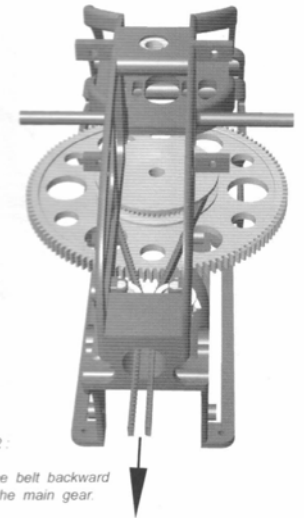
Step 1:

Turn back the belt counterclockwise and move the main gear to the middle position.



Step 2:

Pull the belt backward to fit the main gear.



Step 3:

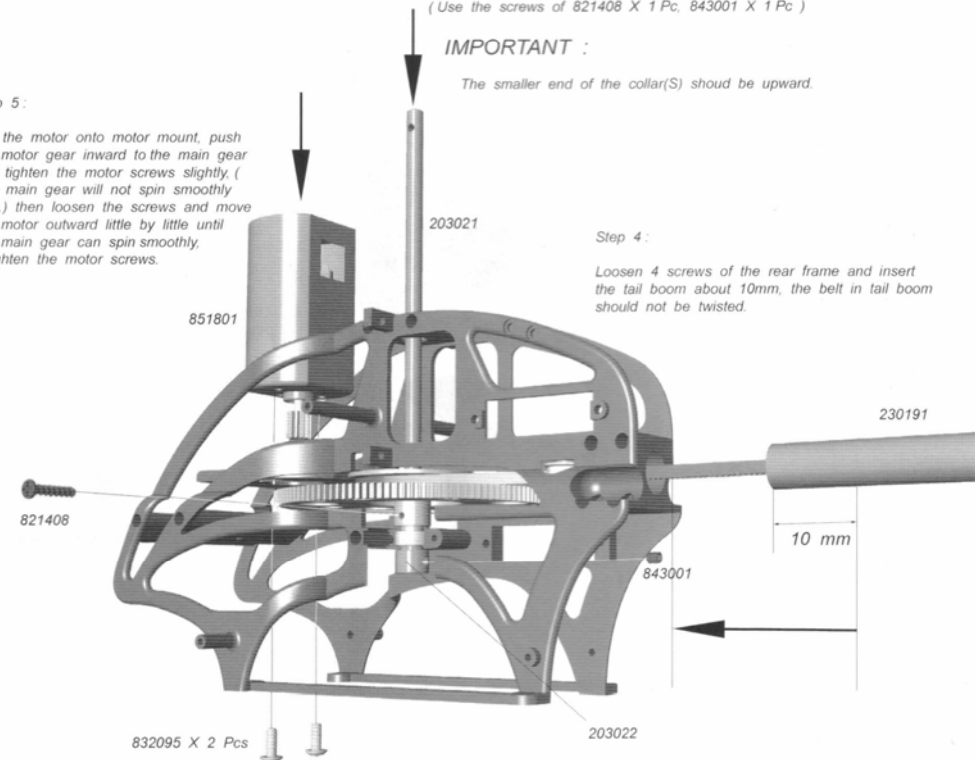
Put the mast collar(S) to the position as shown in figure, insert the mast and tighten the collar(S) and the main gear. (Use the screws of 821408 X 1 Pc, 843001 X 1 Pc.)

IMPORTANT :

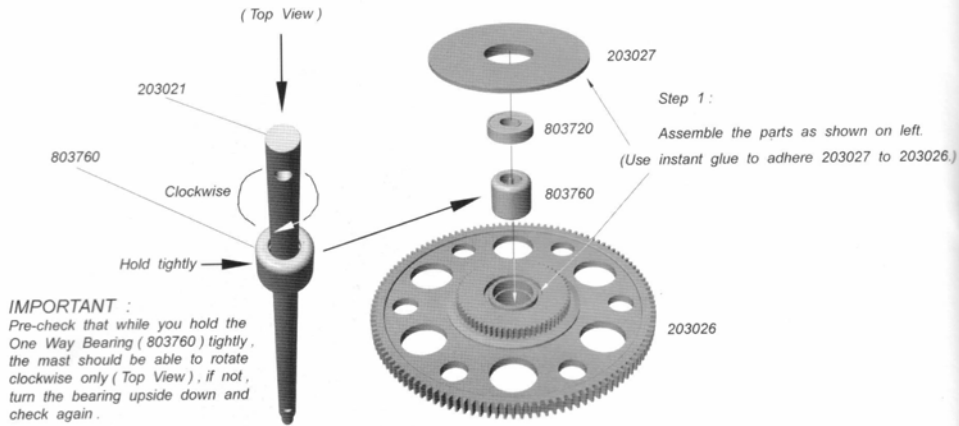
The smaller end of the collar(S) should be upward.

Step 5:

Set the motor onto motor mount, push the motor gear inward to the main gear and tighten the motor screws slightly. (The main gear will not spin smoothly now.) then loosen the screws and move the motor outward little by little until the main gear can spin smoothly, retighten the motor screws.



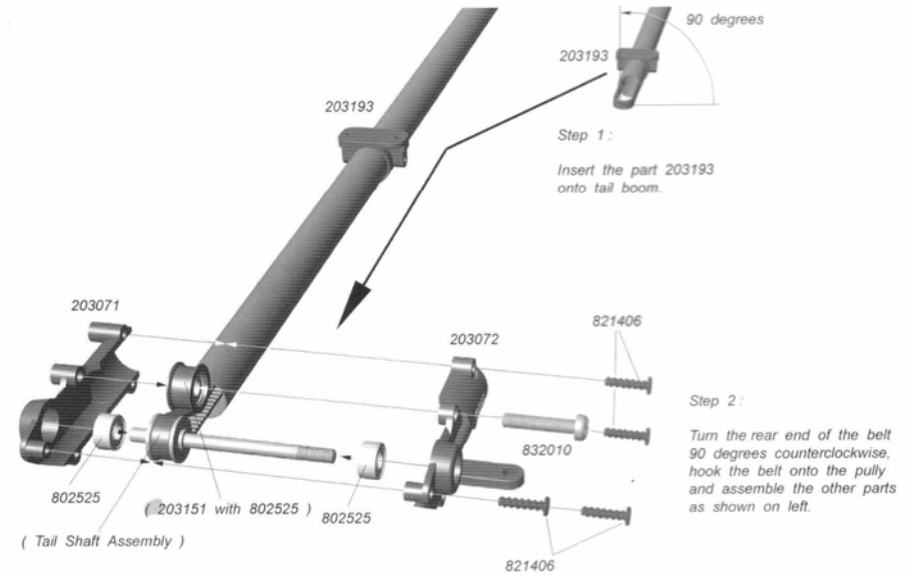
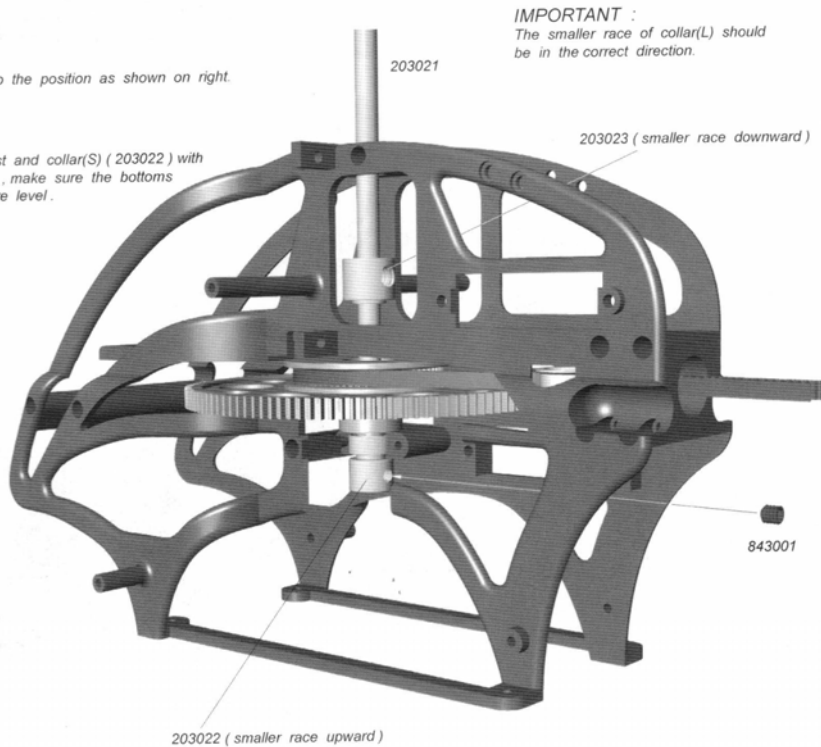
OPTIONAL PARTS (One Way Gear)



IMPORTANT :
Pre-check that while you hold the One Way Bearing (803760) tightly, the mast should be able to rotate clockwise only (Top View), if not, turn the bearing upside down and check again .

Step 2 :
Put the parts to the position as shown on right.

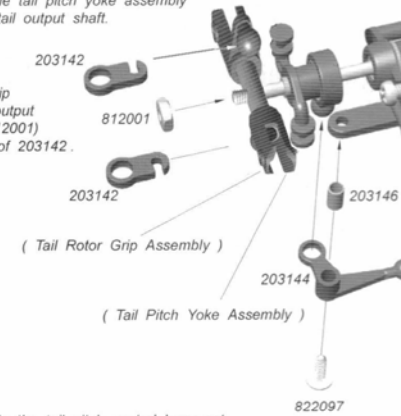
Step 3 :
Tighten the mast and collar(S) (203022) with screw (843001), make sure the bottoms of both parts are level .



IMPORTANT :
The rear end of tail boom should reach to the smaller inner race of tail gear case. (The diameter is smaller than the tail boom.)

Step 3 :
Set the tail pitch yoke assembly onto tail output shaft.

Step 4 :
Tighten the tail rotor grip assembly onto the tail output shaft, tighten the nut (812001) and snap on the parts of 203142 .



Step 5 :
Assemble the tail pitch control lever set.

IMPORTANT :
The screw (832008) should be tightened properly. (If it's too tight, the tail pitch control lever can not move smoothly.)

OPTIONAL PARTS (Round Body)

Assemble both parts together with instant glue.

Drill a mounting hole
(4.2 mm Diameter)

203172

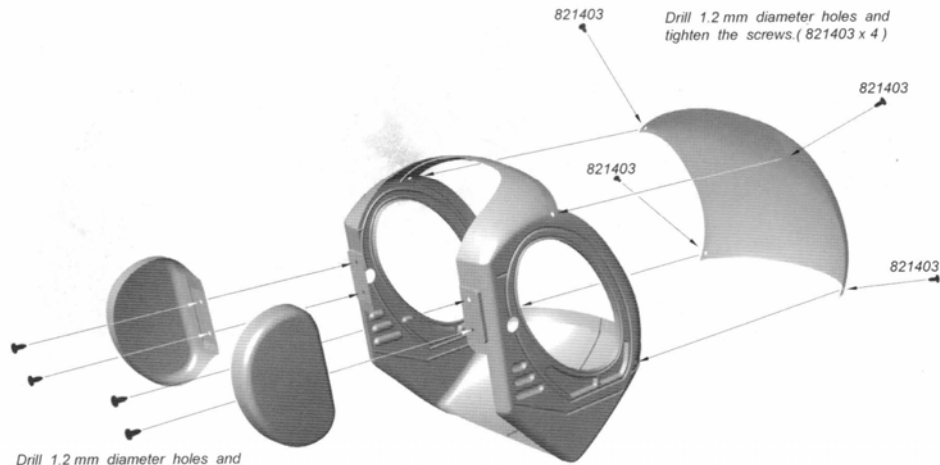


Drill a mounting hole
(4.2 mm Diameter)

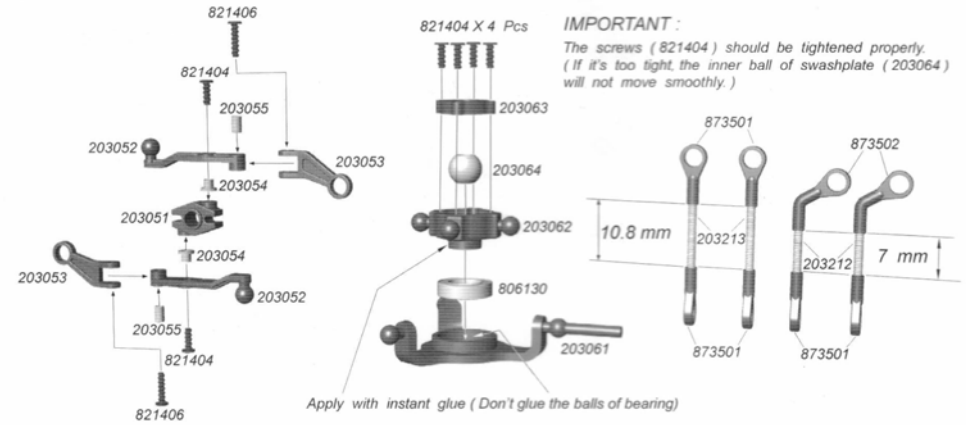
203171

Assemble both parts together with instant glue.

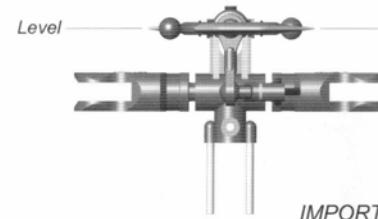
Drill 1.2 mm diameter holes and
tighten the screws.(821403 x 4)



Drill 1.2 mm diameter holes and
tighten the screws.(821403 x 4)



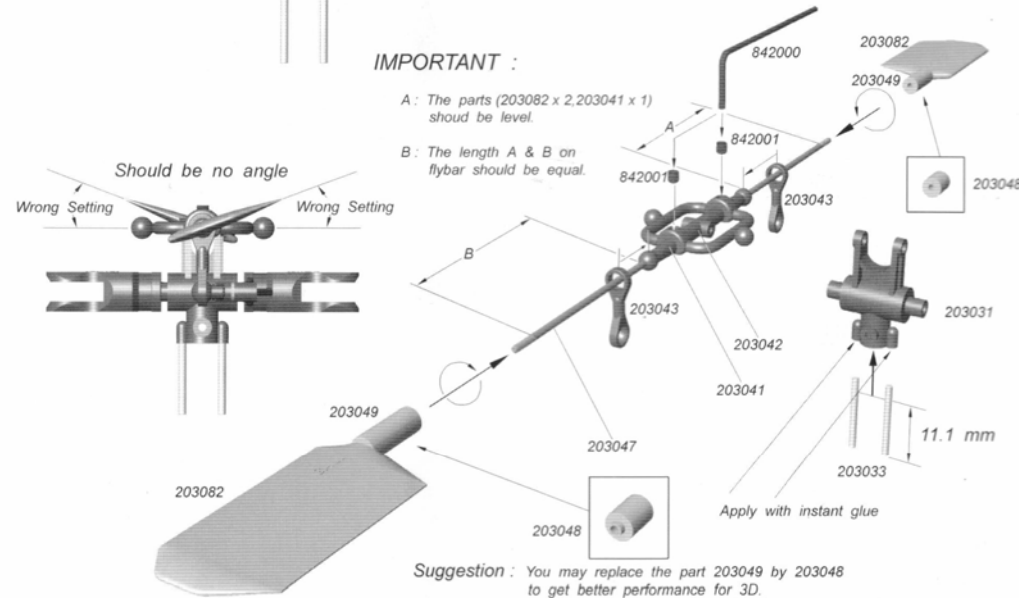
Level Level

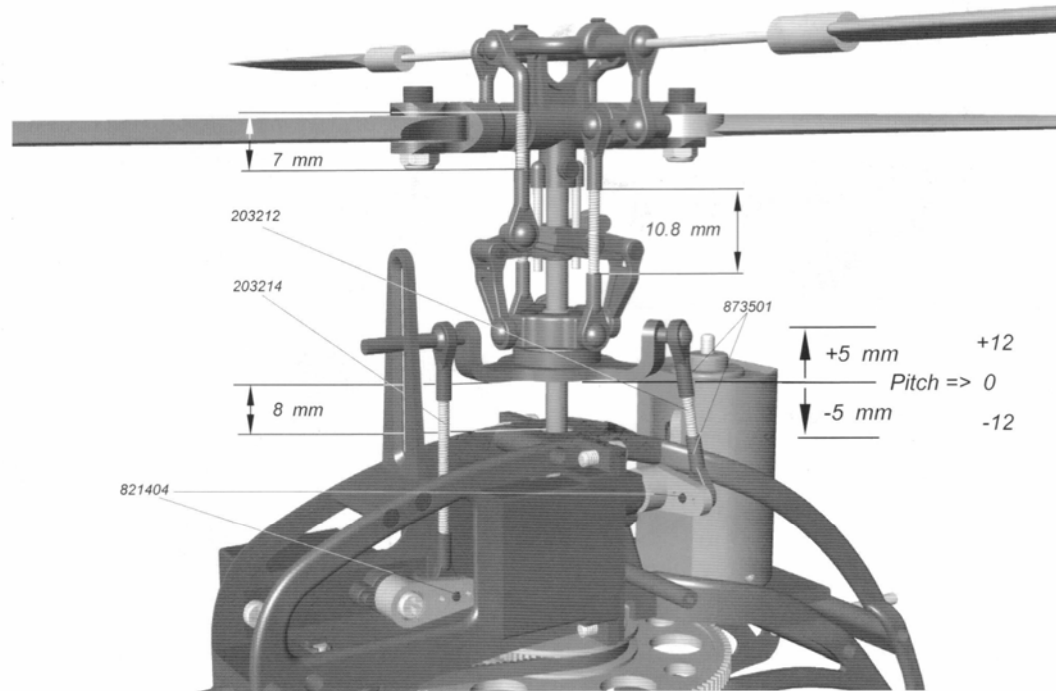
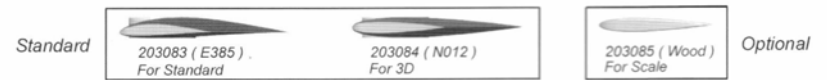
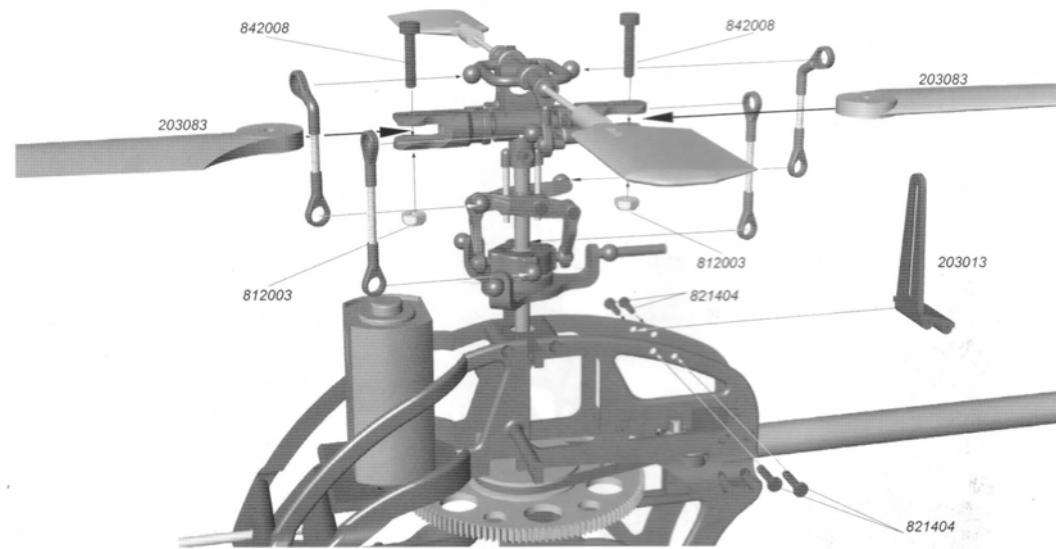
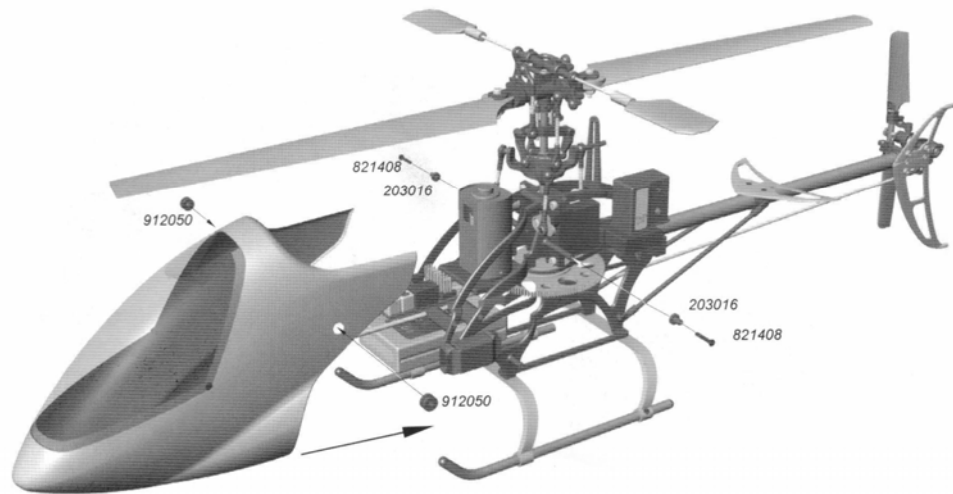
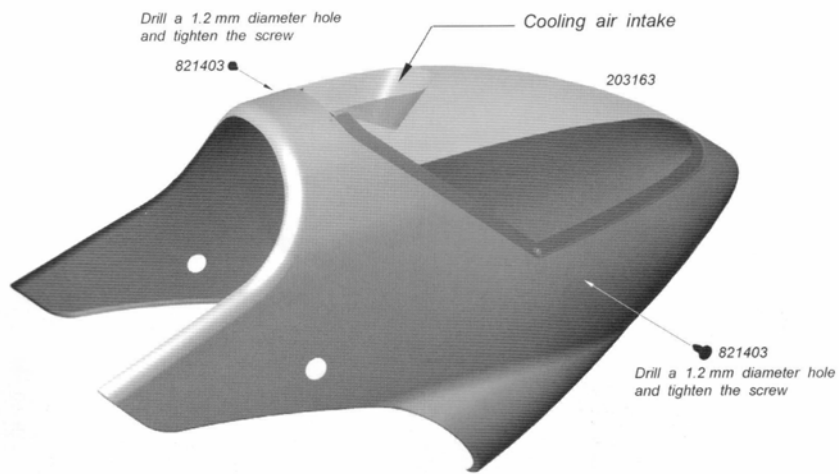


Step 1 :
Set on the parts to the position as
shown in figure below , tighten the
screws (842001) by wrench (842000).

IMPORTANT :
The socket set screws should be tightened properly.
(If it's overtightened , the part 203042 may be broken.)

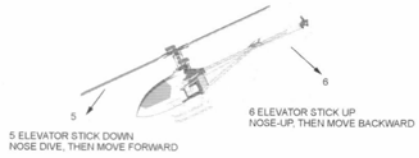
IMPORTANT :



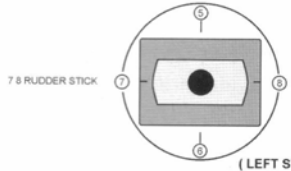


TRANSMITTER STICK CONTROLS AND HELICOPTER MOVEMENT

MODE-I



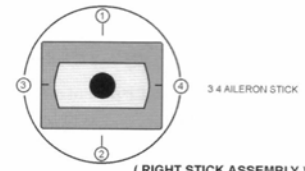
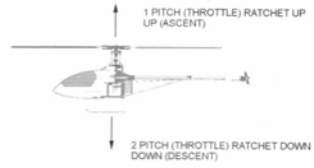
5 6 ELEVATOR STICK



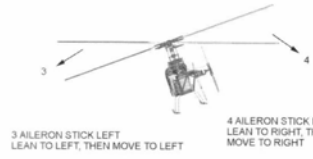
7 8

7 RUDDER STICK LEFT
NOSE MOVE TO LEFT

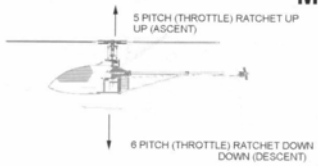
8 RUDDER STICK RIGHT
NOSE MOVE TO RIGHT



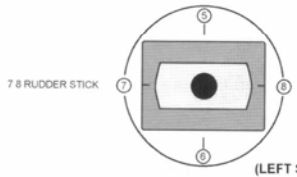
1 2 THROTTLE STICK



MODE-II



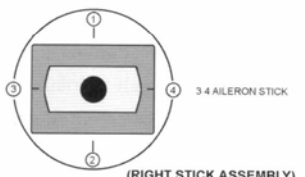
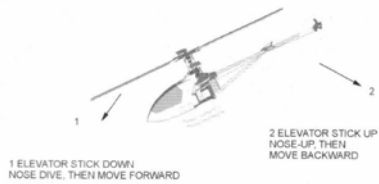
5 6 THROTTLE STICK



7 8

7 RUDDER STICK LEFT
NOSE MOVE TO LEFT

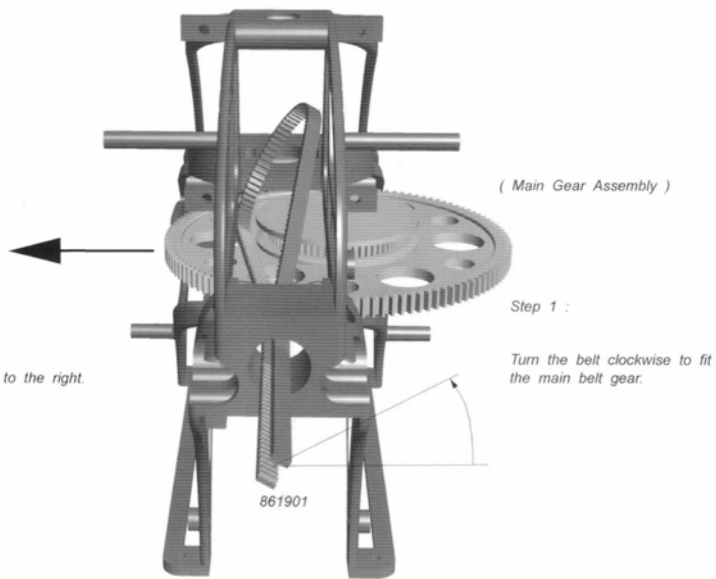
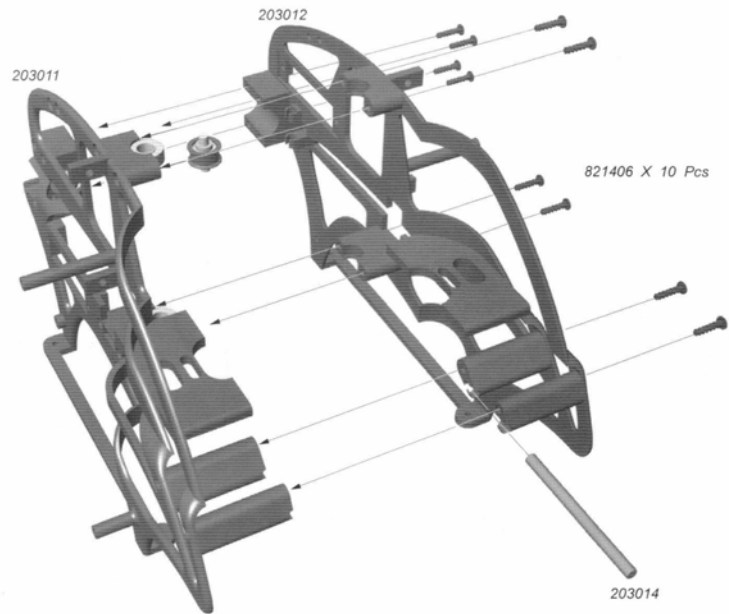
8 RUDDER STICK RIGHT
NOSE MOVE TO RIGHT



1 2 ELEVATOR STICK

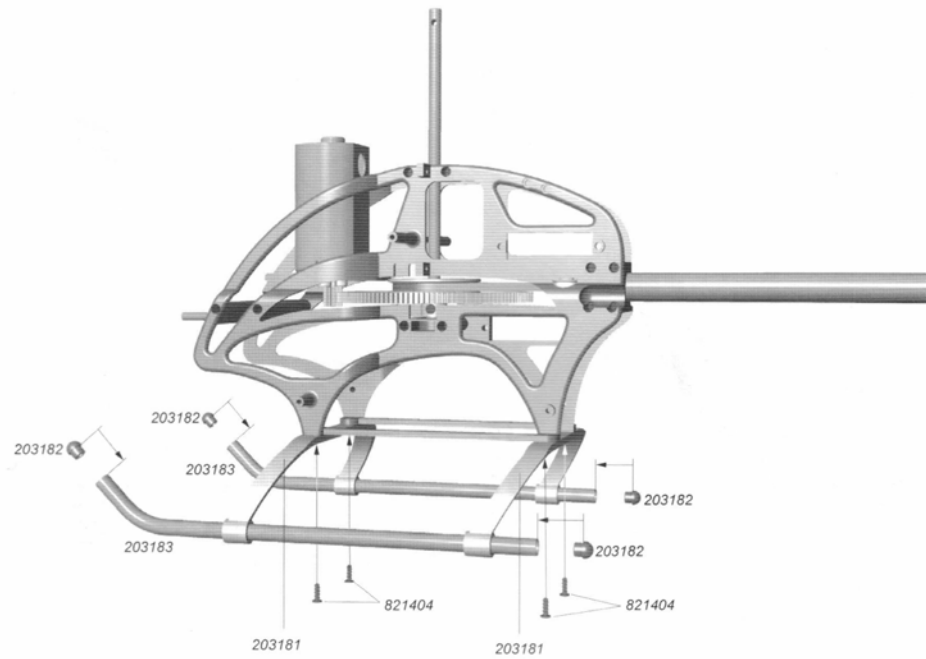
3 AILERON STICK LEFT
LEAN TO LEFT, THEN MOVE TO LEFT

4 AILERON STICK RIGHT
LEAN TO RIGHT, THEN MOVE TO RIGHT



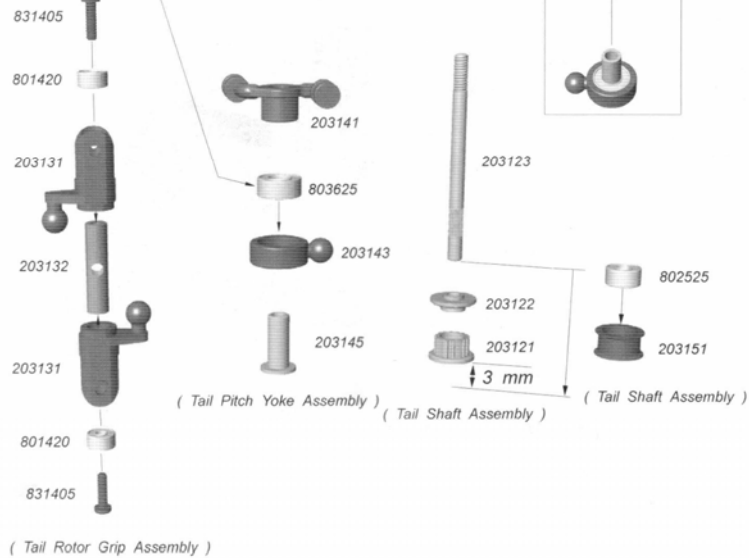
Replacement Parts

2002 Main Frame Set	1007 Main Gear (120T X 64T) Set	1008 Main Rotor Yoke & Grip Set	1010 See-Saw Set
1012 Washout Base Set	1005 Swashplate Assembly	3002 Tail Gear Case Set	3001 Tail Rotor Blades Pack
3011 Fin & Stabilizer	1009 Stabilizer Blades Pack	3003 Tail Output Shaft Set	3004 Tail Rotor Grip (with Hub) Set
3005 Tail Pitch Control Set	4005 Belt Guiding Wheel Set	2001 Body & Canopy Set	2005 Landing Gear Brace Set
3008 Tail Booms Pack	3007 Tail Boom Support Set	2006 Linkage Set	1006 Main Shafts (Masts) Pack
4007 Decal Sets	2010 Mast Collars Pack (S)	1013 Flybars Pack	1011 Flybar Adaptors Pack



Use Lockite 609, 680 or similar material to adhere 203145 to 203141.
 (Don't adhere the balls of bearing or the inner race of 203145)

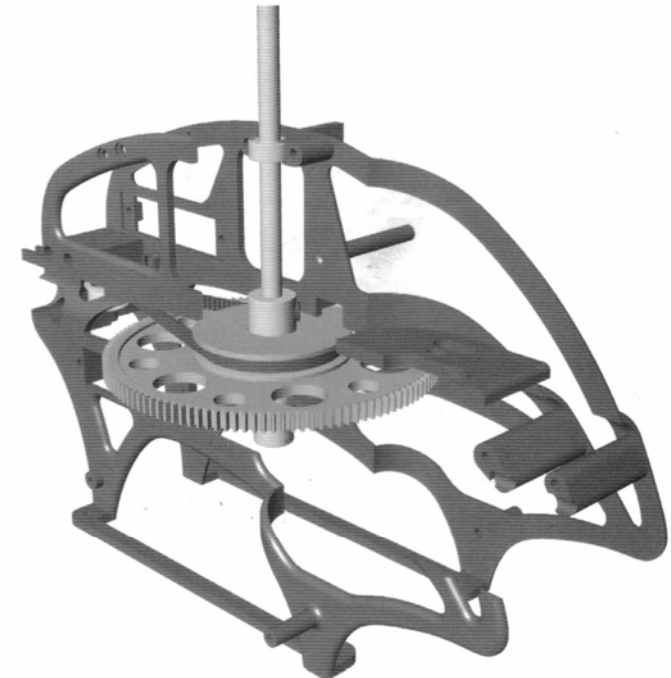
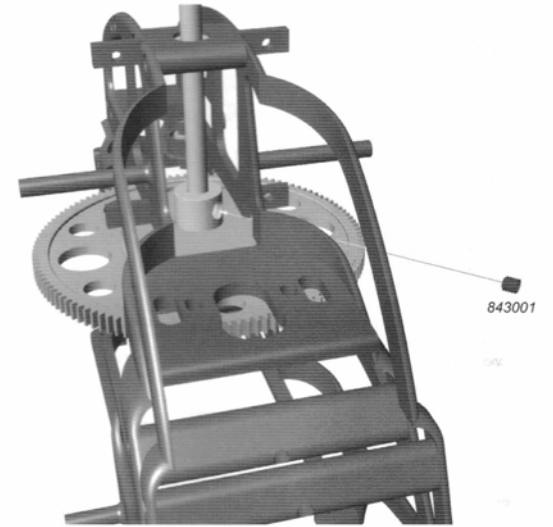
Use instant glue to adhere 803625 to 203143.
 (Don't adhere the balls of bearing)



OPTIONAL PARTS (One Way Gear)

Step 1 :

Pull up the mast and push down the lower collar(L) & Main Gear Assembly , tighten the lower collar(L) with screw (843001) .

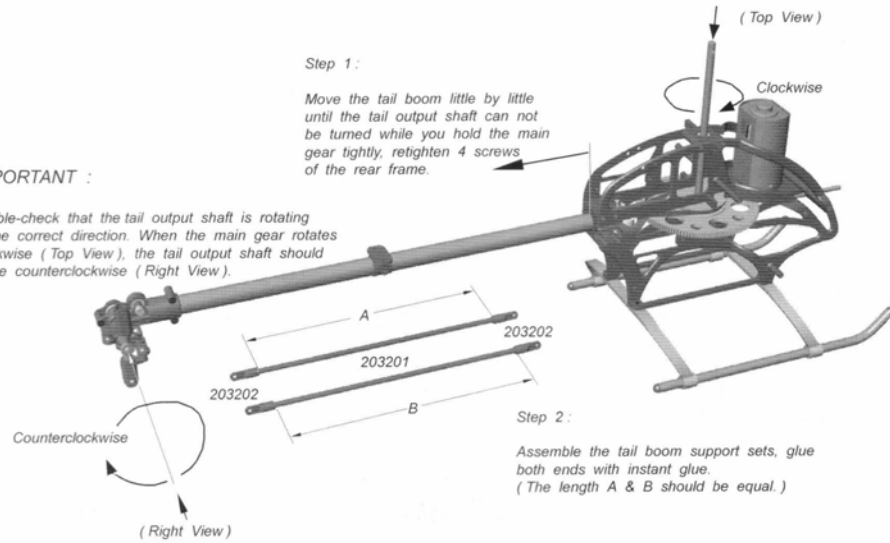


IMPORTANT :

Double-check that the tail output shaft is rotating in the correct direction. When the main gear rotates clockwise (Top View), the tail output shaft should rotate counterclockwise (Right View).

Step 1 :

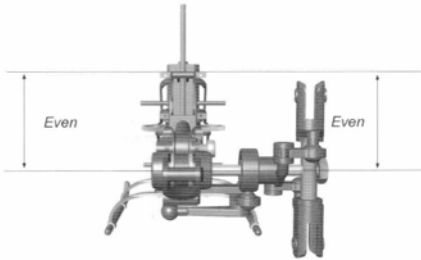
Move the tail boom little by little until the tail output shaft can not be turned while you hold the main gear tightly, retighten 4 screws of the rear frame.



Step 2 :

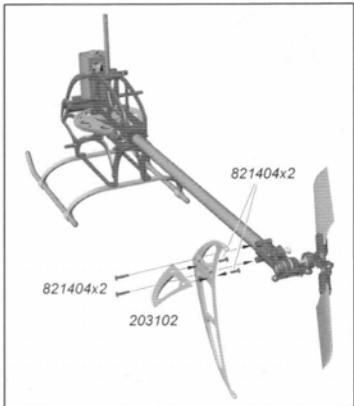
Assemble the tail boom support sets, glue both ends with instant glue. (The length A & B should be equal.)

Check to insure that the tail output shaft is level when viewed from the back.



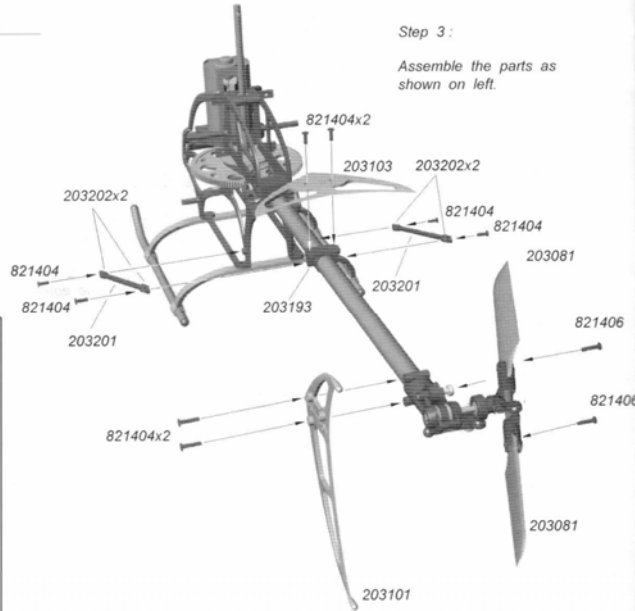
Suggestion :

You may remove some parts (203103,203193, 203201x2,203202x4,821404x6) to reduce the weight and get better performance for 3D, but add the part 203102.

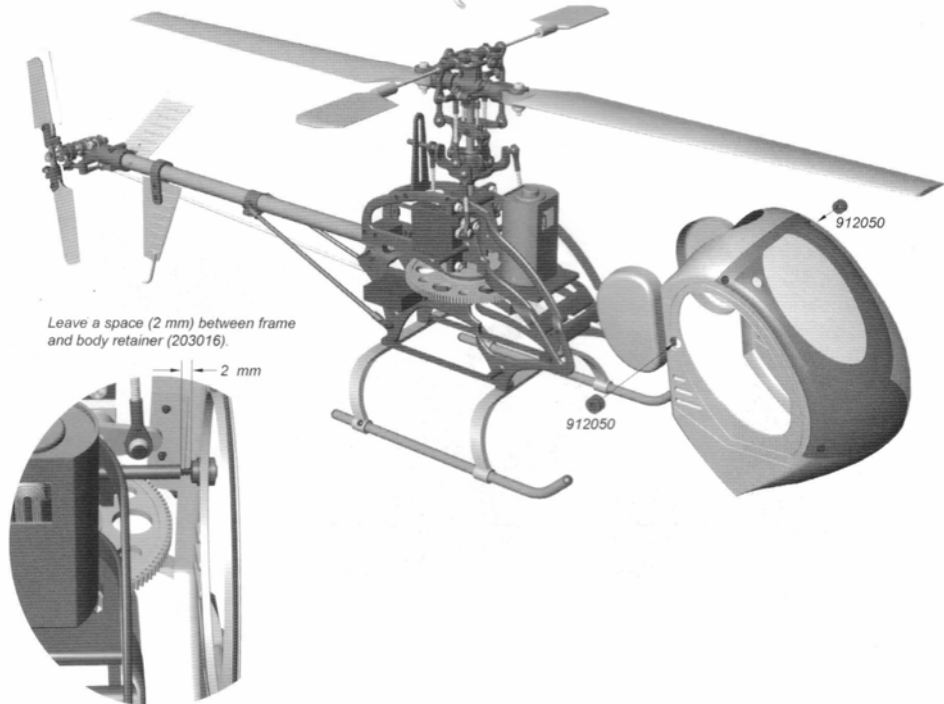
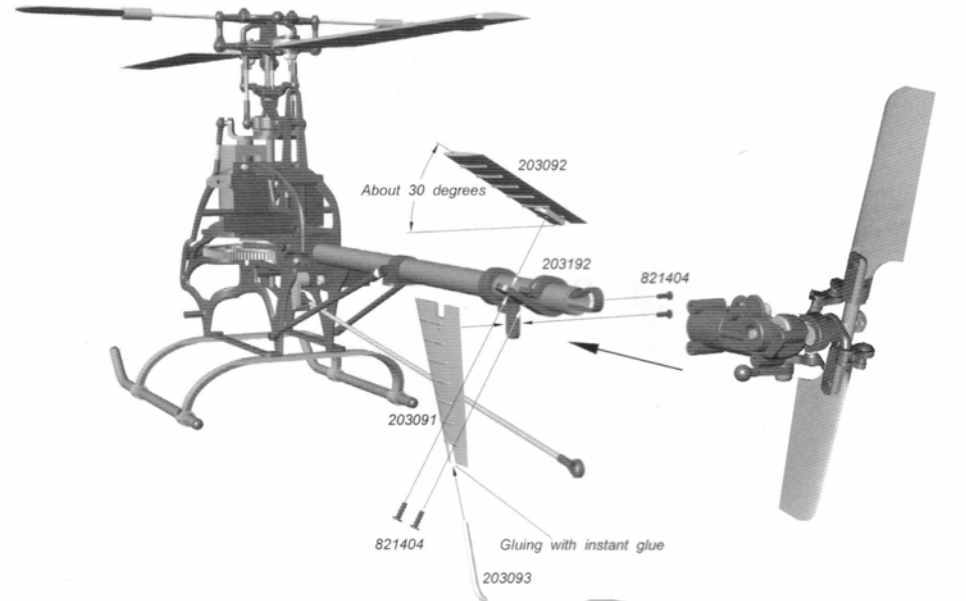


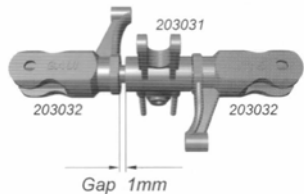
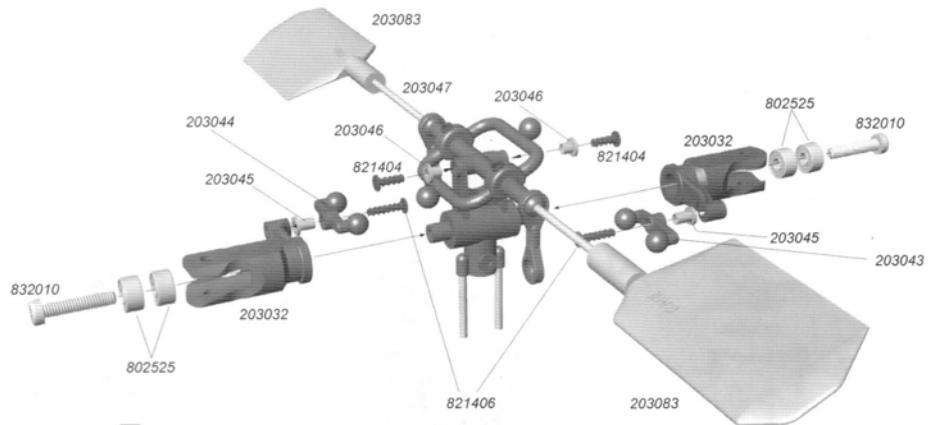
Step 3 :

Assemble the parts as shown on left.

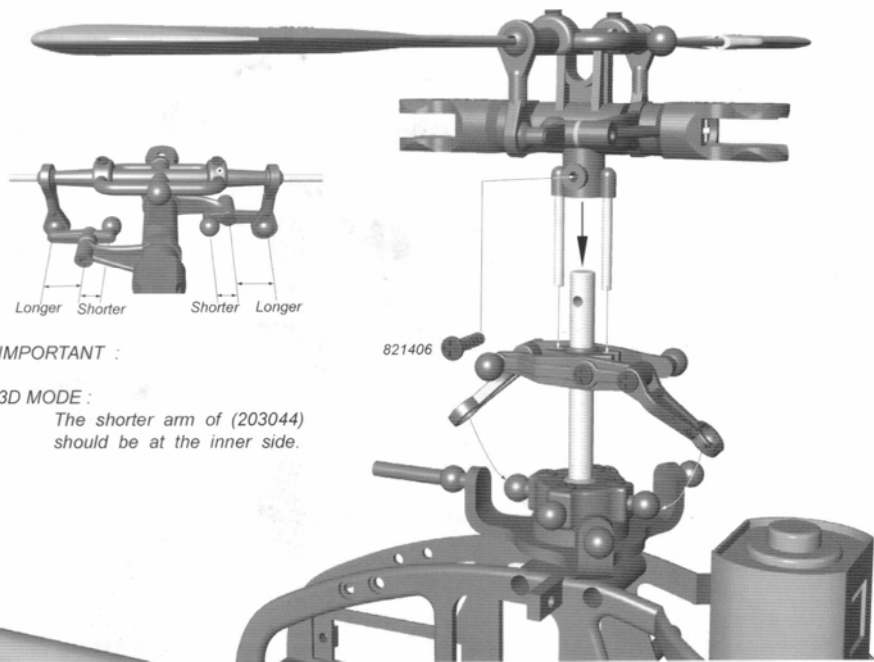


OPTIONAL PARTS (Fin & Tail)





IMPORTANT :
 After you tighten the screw (832010), it should have a gap (1mm) between parts 203032 & 203031, if it doesn't, pull out the part (203032).



IMPORTANT :

3D MODE :
 The shorter arm of (203044) should be at the inner side.

OPTIONAL PARTS (Round Body)

